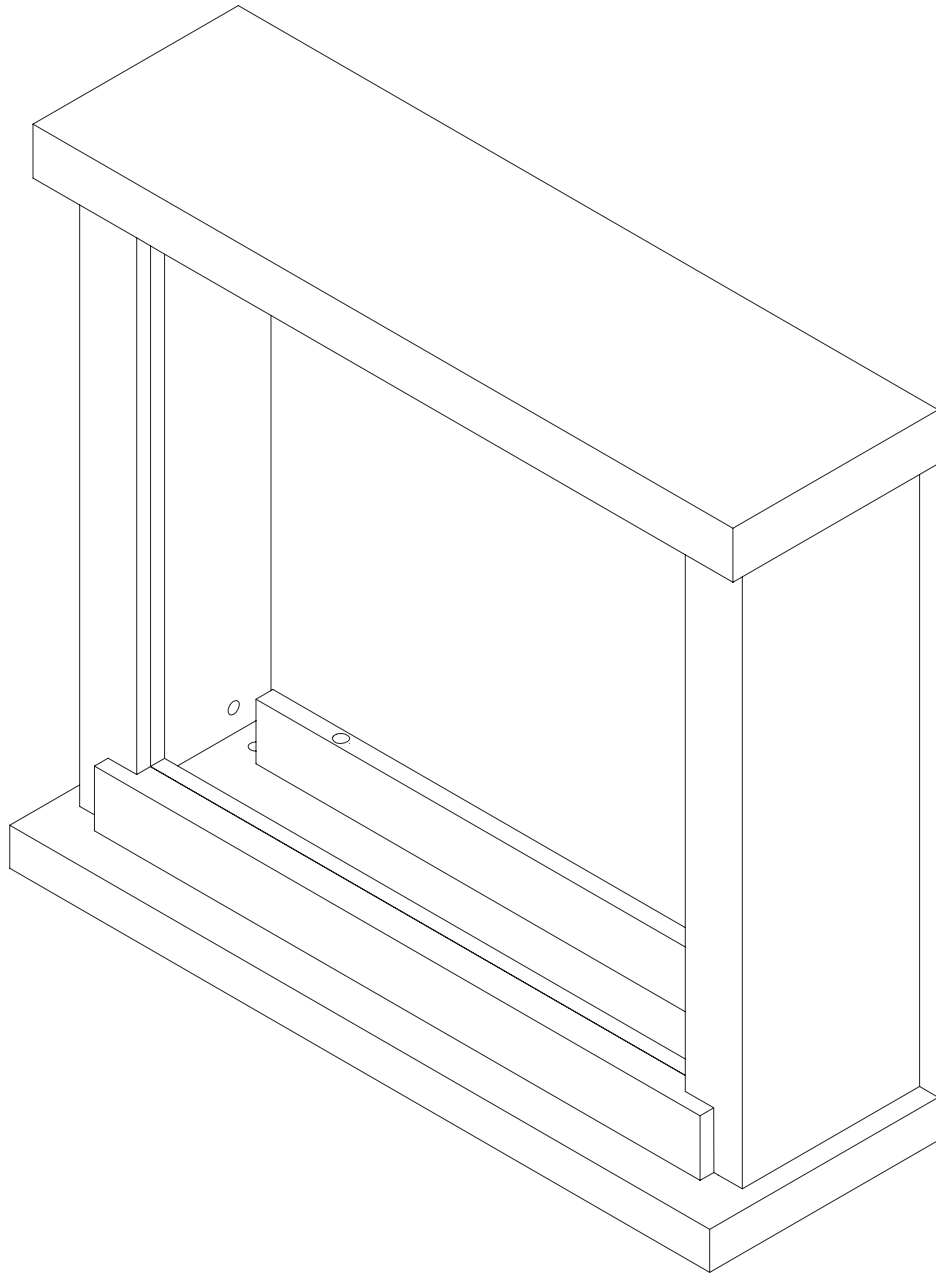
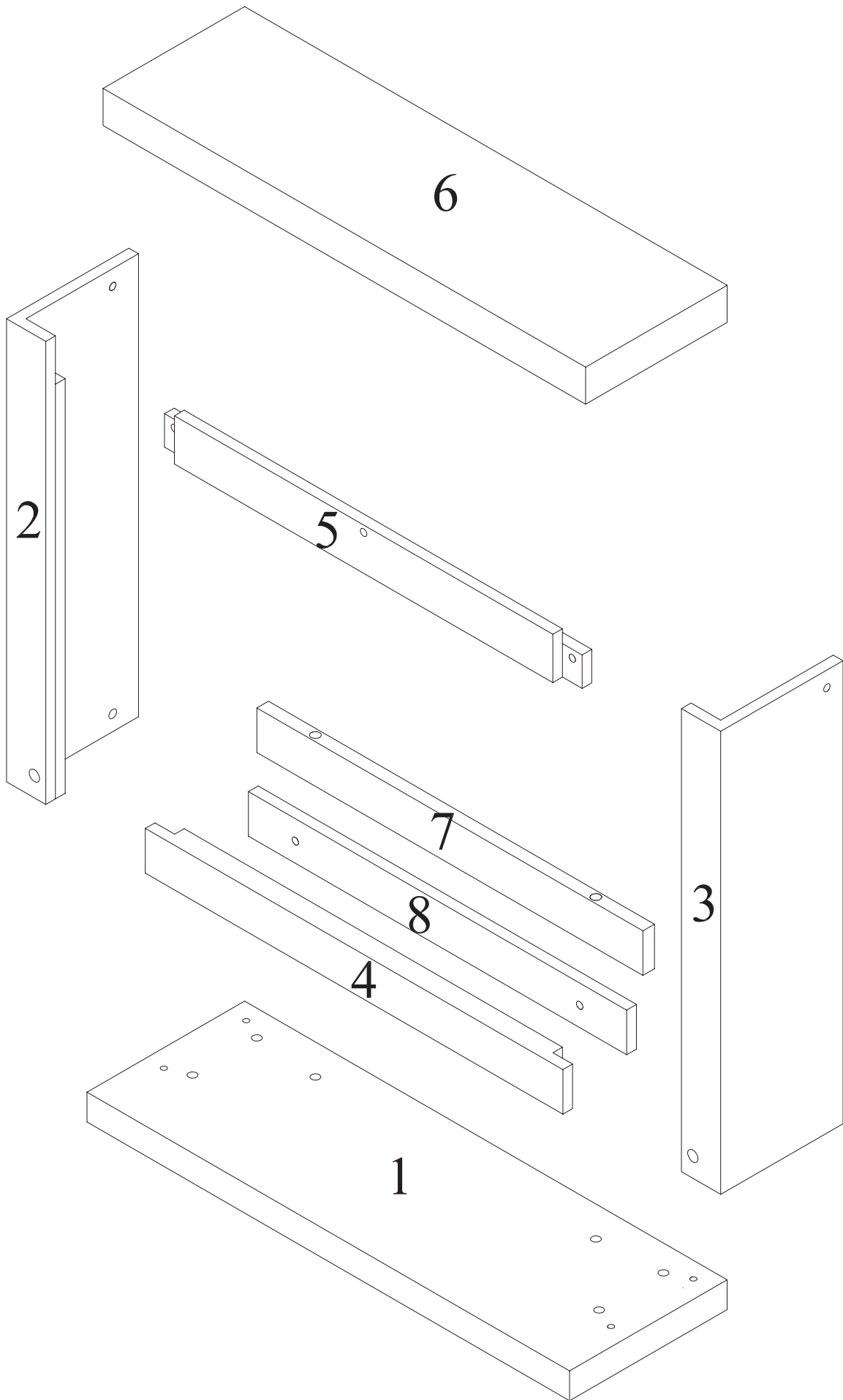
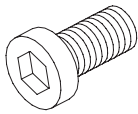
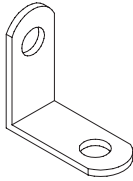
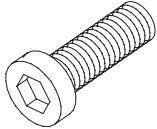
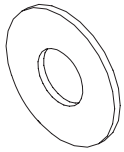
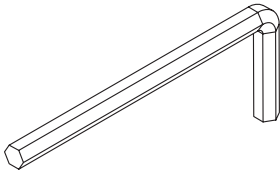
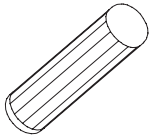


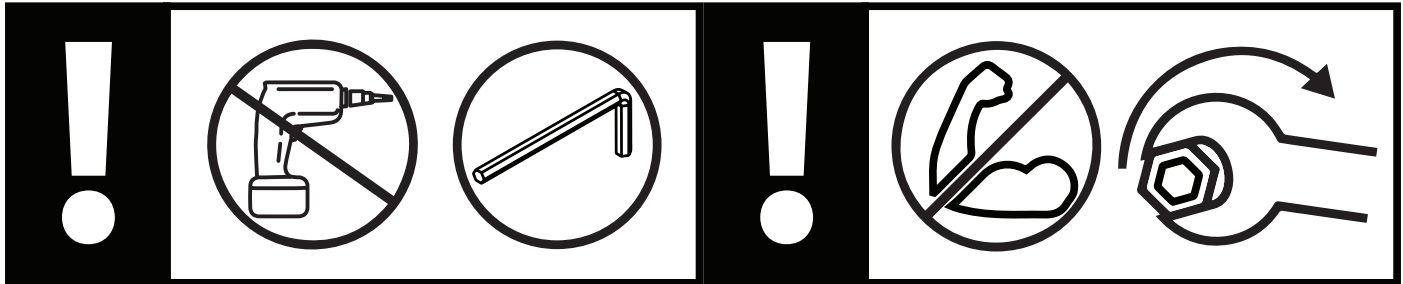
HAGEN

FM469

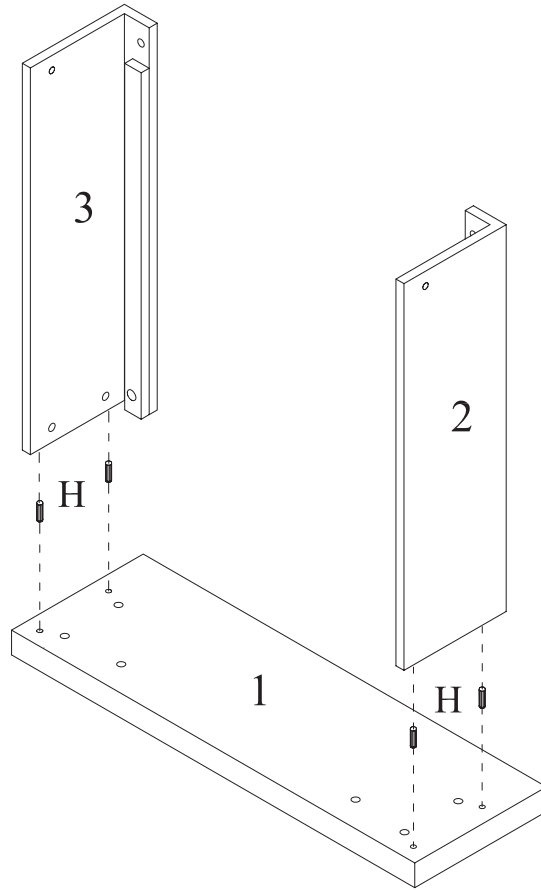




<p>A</p>  <p>Ø6 x 12mm x8</p>	<p>B</p>  <p>x 4</p>	<p>C</p>  <p>Ø6 x 28mm x 13</p>
<p>D</p>  <p>x 11</p>	<p>E</p>  <p>x 1</p>	<p>H</p>  <p>Ø8 x 30mm x 4</p>



1



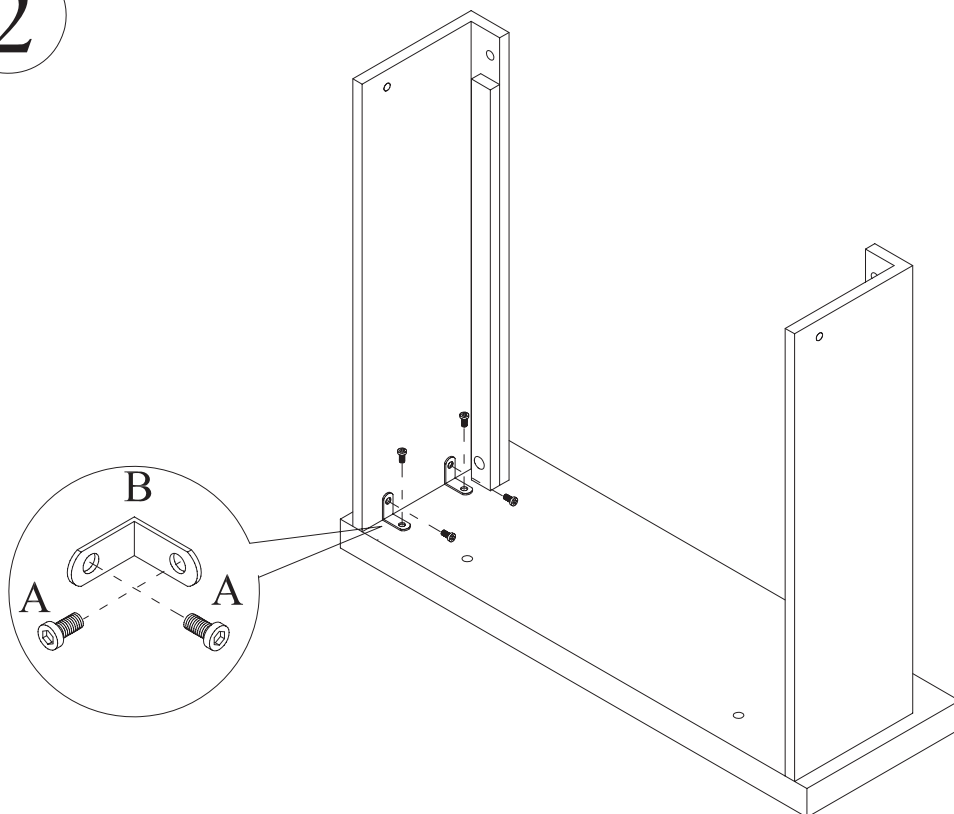
H



Ø8 x 30mm

x 4

2



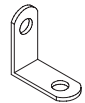
A



Ø6 x 12mm

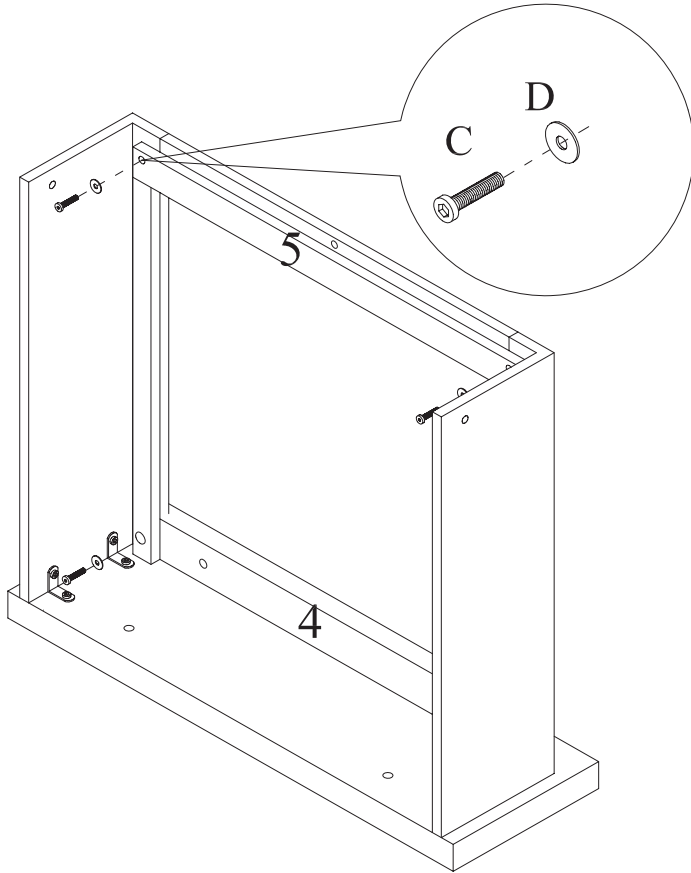
x 8

B



x 4

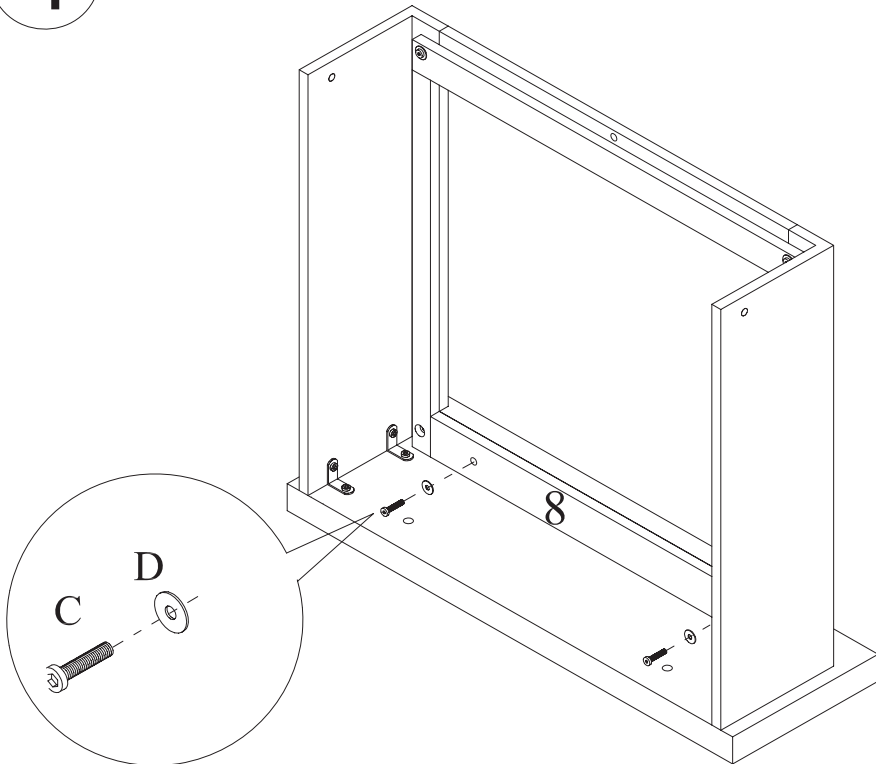
3



C
Ø6 x 28mm
x 4

D
x 4

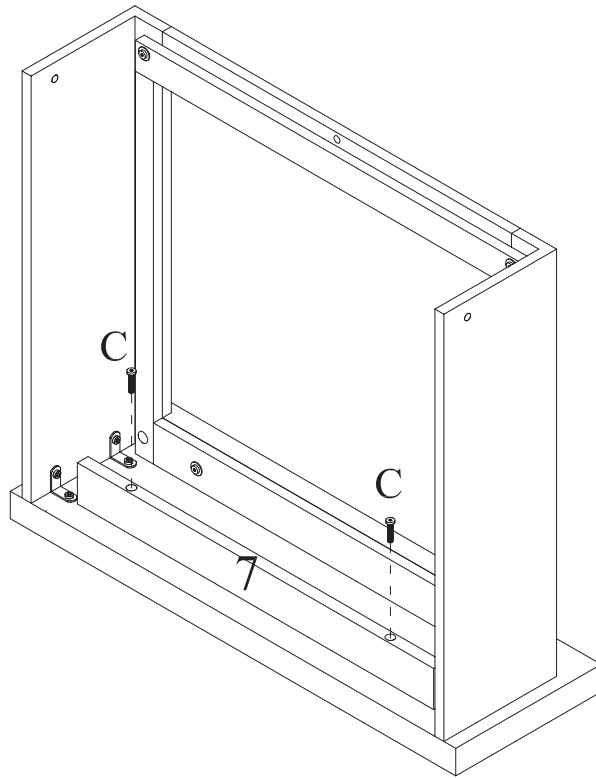
4



C
Ø6 x 28mm
x 2

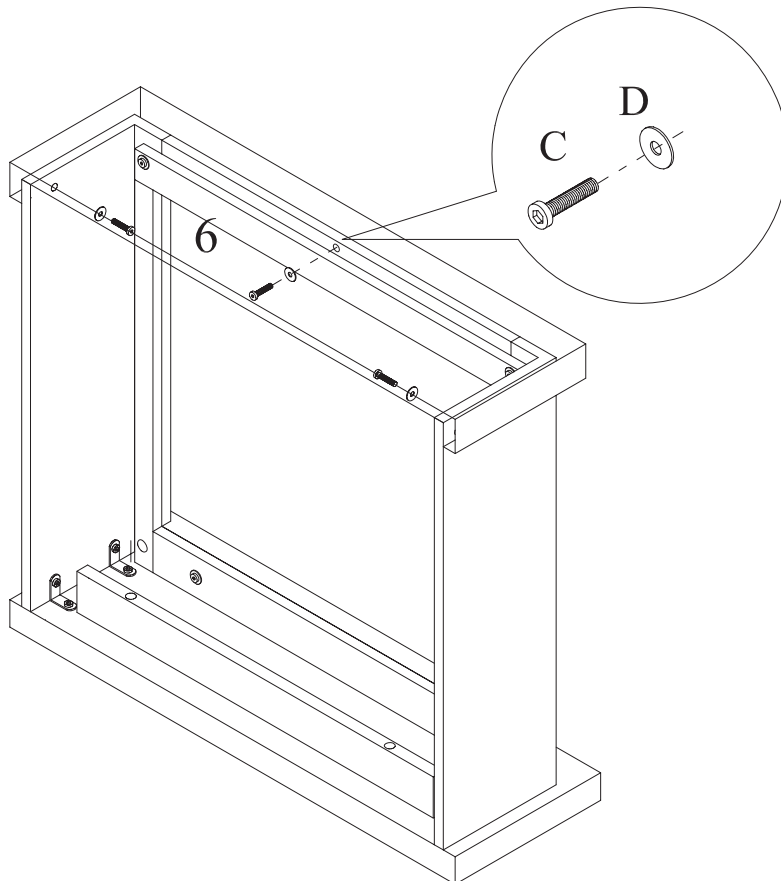
D
x 2

5



C
Ø6 x 28mm
x 2

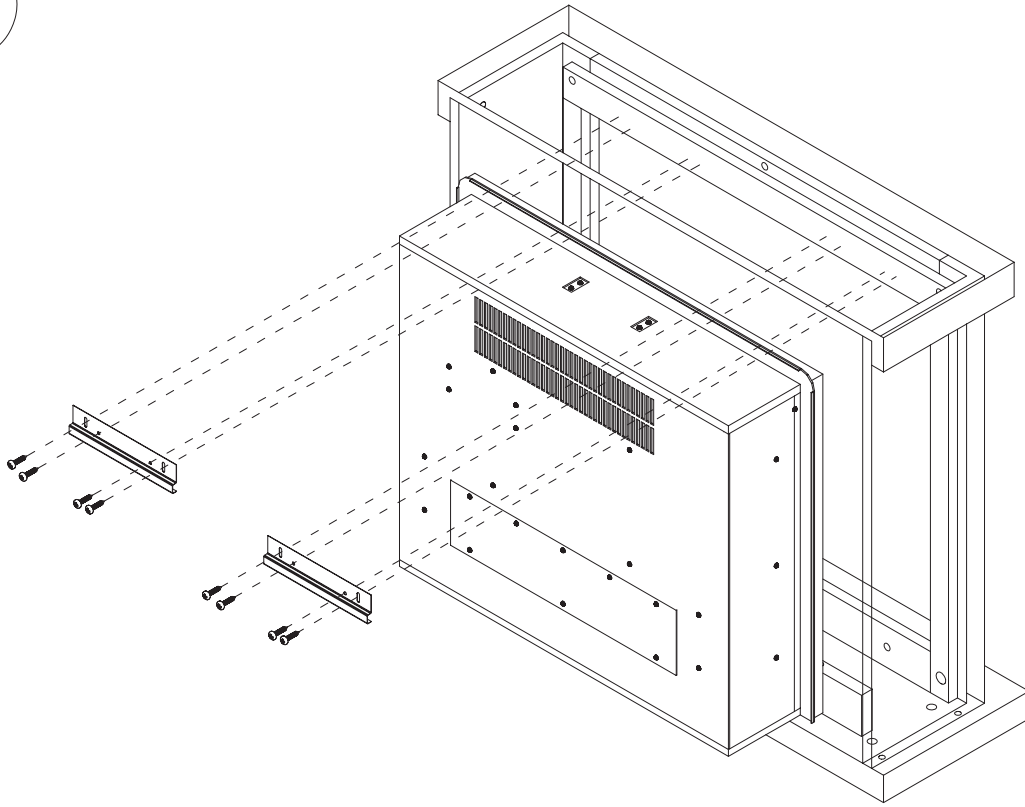
6



C
Ø6 x 28mm
x 3

D
x 3

7



TAGU
the missing piece